



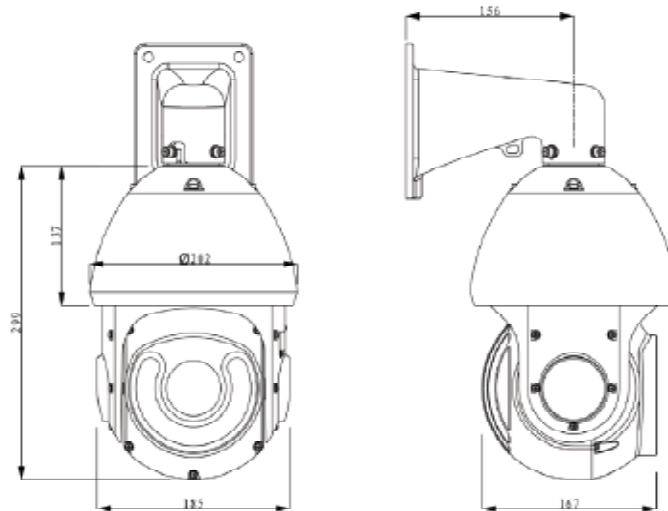
XNC-928R

28x optical zoom
1/4" EXview HAD CCD
600TVL, 25/30fps@D1(4CIF),
IR LED, IP66, SONY WDR Block Camera

Technical Specifications

Model	XNC-928R
Camera	
Image Sensor	1/4" EXview HAD CCD
Effective Pixels	752(H) x 582(V), 768(H) x 494(V)
Horizontal Resolution	600TVL(Color), 650TVL (B/W)
Min. Illumination	Color:0.04 lux, B/W:0.005 lux
Lens	Optical zoom 28x, f=3.5mm(wide) ~98.0mm(tele), F1.35 ~ F3.7
Digital Zoom	12x
Angle of View	55.8°(wide) ~ 2.1°(tele)
Close Focal Distance	10mm(wide) ~1500mm(Tele)
Electronic Shutter	1/1 to 1/10,000 s
Day/Night	ICR
Privacy Masking	Support
WDR	WDR
Noise Reduction	2D / 3D
Gain Control	Auto / Manual / Max. Gain Limit (-3 dB to +28 dB, 2 dB steps)
Exposure Control	Auto / Manual / Priority mode (shutter priority & iris priority) / Bright / EV compensation / Slow AE
BLC	ON/OFF
White Balance	Auto, ATW, Indoor, Outdoor, Outdoor Auto, Sodium Vapor Lamp (fix/auto), One-push, Manual
Picture Effects	E-Flip, Nega Art, Black & White, Mirror image, Color Enhancement
S/N Ratio	More than 50 dB
Video Output	CVBS: 1.0Vp-p / 75Ω
Video & Audio	
Video Compression	H.264 / MJPEG
Image Resolution	D1(704×576/704×480) / VGA(640×480) / CIF(352×288/352×240) / QVGA(320×240) / QCIF(176×144/176×128)
Encoding Speed	Main Stream: 1~25/30fps at all resolution ; Extra Stream: 1~25/30fps at all resolution
Audio Compression	PCM8/G711A/G711U
Audio Mode	Off/Audio input/Audio output
Bit Rate	32K~4Mbps
Bidirectional Talk	Yes
Dome Drive	
Pan/Tilt Range	Horizontal: 0°~360°endless, Vertical: -15°~90° auto flip 180° to continue monitor
Manual Control Speed	Horizontal: 0.1°~160°/s, Vertical: 0.1°~120°/s
Preset Speed	Horizontal: 240°/s, Vertical: 200°/s
Preset	255
PTZ Mode	5 Auto Pattern, 8 Auto Tour, 5 auto scan
3D Positioning	Yes
Speed Setup	Human-oriented focal Length/ speed adaptation
Info Display	Time, Location, Dome title, Dome coordinates, Temperature, Alarm, and etc.

Power up Action	Auto restore to previous PTZ and lens status after power failure
Idle Motion	Activate preset/scan/tour/ patter if there is no command in the specified period.
Time Task	Auto activation of Preset/Scan/Tour/ Pattern by preset-time
Alarm	DH-SD, Pelco-P/D, Auto recognition of general protocols
Network	
Ethernet	RJ-45 (10/100Base-T)
Network Functions	IPv4/IPv6, HTTP, HTTPS, SSL, TCP/IP, UDP, UPnP, ICMP, IGMP, SNMP, RTSP, RTP, SMTP, NTP, DHCP, DNS, PPPOE, DDNS, FTP, IP Filter, QoS, Bonjour, ONVIF
Remote Operation	Monitor, PTZ control, Playback, System Setting, File download, Log Information, Maintenance & Upgrade
Max Remote Users	20 Users simultaneously
Processor	TI DaVinci Series DSP
Operating System	Embedded LINUX
Resource	Simultaneous remote monitoring, remote operation & local recording
Local Recording	SD/SDHC, Max 32GB
User Interface	WEB, CMS(DSS/ PSS), DMSS, NVR
General	
IR Lamp Control	Auto / Manual
Max IR Distance	60m
Power Supply	AC 24V/2.2A (±10%)
Power Consumption	16W(Indoor), 34W(Outdoor, heater on)
Working Temperature	-40°C ~ 60°C
Working Humidity	<90%
Protection Level	IP66, 4000V thunder, surge and wave protection
Vandal proof	Yes
Dimension	Φ185(mm) x 299(mm)
Weight	5.0kg
Accessories	DH-64FB Optional: DH-65FD, DH-65FD200, DH-65FW, DH-65FM, DH-65FQ



SONY Super HAD CCD®

* Super HAD CCD is a trademark of Sony Corporation. The Super HAD CCD is a version of Sony's high performance CCD HAD (Hole Accumulation Diode) sensor with sharply improved sensitivity by the incorporation of a new semiconductor technology developed by Sony Corporation.

